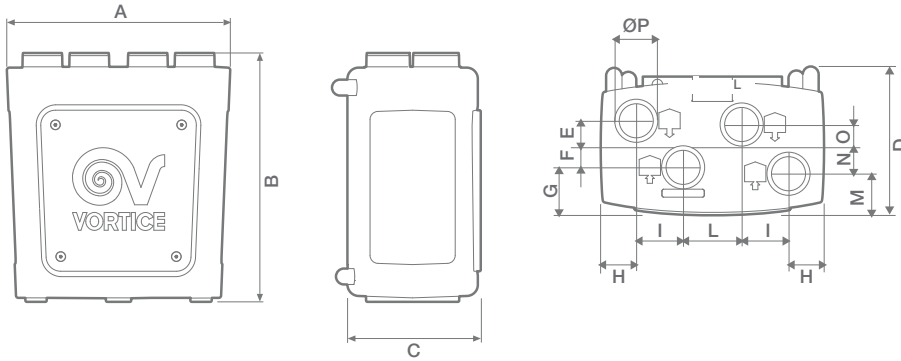


DIMENSIONS



Models	Code	A	B	C	D	E	F	G	H	I	L	M	N	O	ØP
VORT PROMETEO PLUS HR 400	11582	840	935	502	560	85	100	156.7	133.6	176	220	180.7	76	99	150
VORT PROMETEO PLUS HR 400 M	11585														

Dimensions (mm)

TECHNICAL DATA

Models	Code	V ~ 50 Hz	W	A	Max Airflow		Max Pressure		Kg	Max °C
					m³/h	l/s	mmH ₂ O	Pa		
VORT PROMETEO PLUS HR 400	11582	230	160	1.3	380	106	68.8	675	25	50
VORT PROMETEO PLUS HR 400 M	11585									

SOUND LEVELS* VORT PROMETEO PLUS RANGE

RPM		Lw dB (A)							Lw dB (A)	Lp dB (A) 3m
		125 Hz	250 Hz	500 Hz	1000 Hz	2000 Hz	4000 Hz	8000 Hz		
700	Inlet	8.4	9.3	14	22.6	5	9.2	10.1	28	7.5
	Outlet	5.7	15	18.1	16.4	13.9	12.2	7.5	27.5	7
	Radiated	14.3	39.2	18.3	20.6	2.9	7.1	nd	44	23.5
1600	Inlet	18.5	24.1	29.4	37.5	24.8	15.6	13.3	43.2	22.7
	Outlet	16	25.6	27.9	28.4	18.8	6.8	3.3	37.6	17.1
	Radiated	21.7	31.9	38.3	34	23.8	11.8	7.5	48.4	27.9
2100	Inlet	16.9	32.3	36.6	48.3	35.8	24.7	10.2	56.7	36.2
	Outlet	14.9	34.7	32.8	38.4	29.2	15.7	nd	46.4	25.9
	Radiated	24.6	41.1	41.6	47.1	34.8	20.8	5.6	58	37.5
2650	Inlet	20.3	40.9	46	64.7	41.8	33.7	18.5	65.5	45
	Outlet	19.1	42.5	38.4	60	36	25.6	13.8	60.7	40.2
	Radiated	31.3	43	48.1	59.2	41.4	29.1	13.6	61.3	40.8
3000	Inlet	23.5	41.3	47.5	52	44.1	37.1	22.8	59.4	38.9
	Outlet	19.7	42.7	40.6	43.2	38	27.1	12.2	53.6	33.1
	Radiated	28.9	45.7	47.9	47.4	43.9	33.3	16.2	59.5	39
3350	Inlet	25.3	44.4	49.7	54.8	48.4	42.3	28.8	62.7	42.2
	Outlet	23.6	43.4	43.2	45.7	41.5	31.6	13.5	55.5	35
	Radiated	31.8	46.7	51.5	55.2	47.5	37.4	22	62.4	41.9

* Tests carried out using sound intensity measurement in a semi-anechoic chamber.