

ACM[®] In-Line Mixed Flow Fans



Ducted Ventilation

Vent Axia has designed a complete range of Mixed Flow In-Line fans that are now quieter than any other product on the market. ACM is now in a range of six products in the range which have been designed for use with rigid and flexible ducting. The energy efficient products are up to 8dBA lower in noise levels with consideration given to the installer the ACM In Line Mixed Flow fan is now a product that is simple to install.

In Line Mixed Flow fans offer two and half times the pressure of conventional axial fans, are dimensionally more compact making them ideal for many ducted applications.

The impeller blade design with guide vanes provides optimum pressure characteristics and simple connectivity and quieter more efficient running provides the complete solution.

The unit has a separate footplate for simple location mounting, detachable spigots for simple connection to ducting. The motor body chassis now rotates to provide connection in acute spaces. The product is mounted using two straps that secure the motor chassis assembly to the footplate.

Cleaning the product has also become simple as all parts can be removed without removing the ducting.

The ACM Mixed Flow In-Line fan can operate in both horizontal and vertical positions and can be mounted to meet its optimum performance.



Rotating Chassis to ease installation where room is at a premium

Motor

All motors are fitted with Standard Thermal Overload Protection. (S.T.O.P.). Motors are speed controllable on their high speed setting. Designed for ambient temperatures up to +50°C. All sizes with capacitor run motors. All sizes are Class I appliances. Supply voltage 220-240V/1/50Hz

Models

Model	Stock Ref
ACM100	17104010C
ACM100T	17104020E
ACM125	17105010C
ACM150	17106010B
ACM150T	17106020C
ACM200	17108010B
ACM250	17110010A
ACM315	17112010A

Controller

For optimum performance use a Vent-Axia electronic controller. Surface mounted providing variable speed control with an On/Off/sensor slider with neon indicator. There is an adjustable minimum speed setting. The controller is radio suppressed to BS EN 55014 and electrical connections for use with suitable external sensors are provided.

86 x 156 x 53mm (H x W x D). For flush fitting a metal wall box accessory is available. Stock Ref **400144** (see page 136).

Hole for wall box: 80x150x150mm (HxWxD).

Stock Ref
W300310

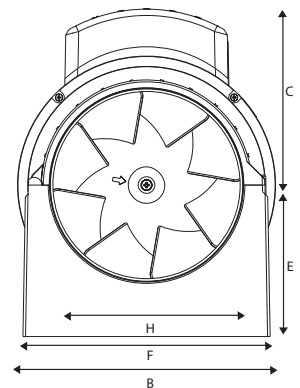
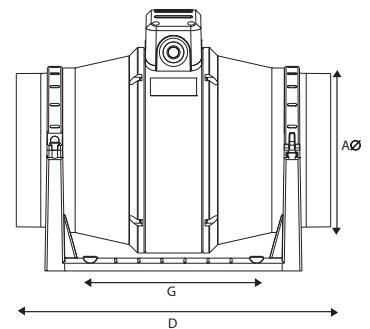


Features and Benefits

- New up to 8dBA quieter
- Available in six sizes
- Designed and manufactured in UK
- Two speed selectable motor
- 100,125,150 New models
- Timer versions 100T & 150T (not speed controllable)
- Simple Installation
- Removable motor core
- Rotating motor chassis assembly
- Supplied complete for installation
- Optimise fan performance by using an approved Vent Axia controller
- Designed to meet IP44
- Aesthetically pleasing with wipe clean polymer
- Easy accessible terminal block with 20mm entry

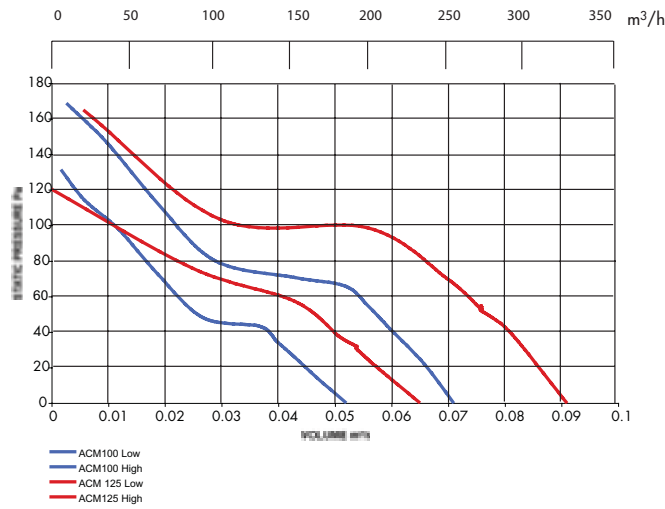
Dimensions (mm)

Size	100	125	150	200	250	315
AØ	97	122	147	199.5	248	310
BØ	178	178	200	223	253	335
C	124	124	138	146	186	220
D	298	259	350	300	385	455
E	96	96	118	130	156	190
F	168	168	192	195	170	210
G	120	120	162	100	145	182
H	153.5	153.5	178	180	138	178

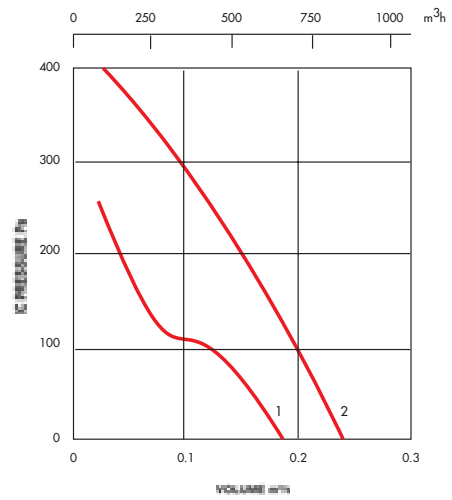


Performance Graphs

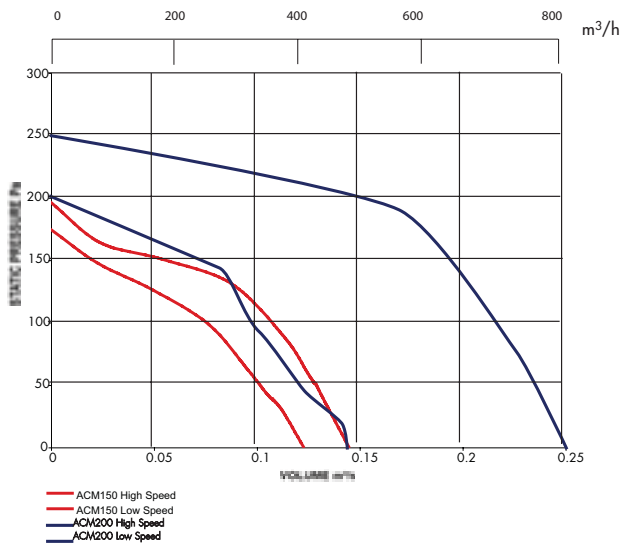
100/125mm



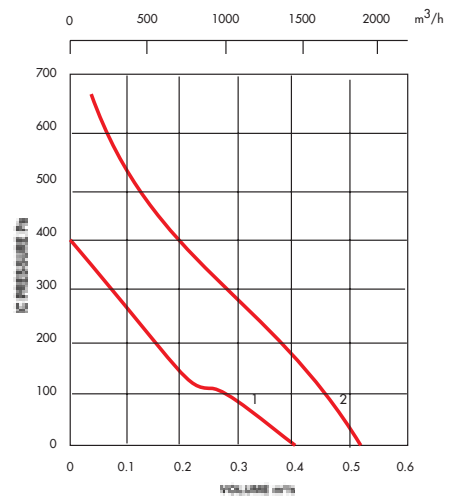
250mm



150/200mm



315mm



Performance

Model	Nominal r.p.m	Performance m³/s @ Pa									Watts	Amps	dB(A) at 3m
		0	25	50	100	150	200	250	300	400			
ACM100	L 1670	0.052	0.043	0.024	0.01	-	-	-	-	-	18	0.09	20
ACM100T	H 2200	0.071	0.065	0.057	0.02	-	-	-	-	-	23	0.1	23
ACM125	L 1800	0.065	0.055	0.044	0.015	0.01	-	-	-	-	25	0.12	20
	H 2400	0.091	0.085	0.076	0.033	0.01	-	-	-	-	30	0.13	24
ACM150	L 1870	0.123	0.15	0.1	0.077	0.022	-	-	-	-	42	0.19	31
ACM150T	H 2350	0.145	0.136	0.129	0.105	0.054	-	-	-	-	48	0.21	35
ACM200	L 1250	0.14	0.14	0.12	0.11	0.10	-	-	-	-	100	0.45	35
	H 2250	0.25	0.25	0.24	0.23	0.21	0.17	-	-	-	110	0.55	38
ACM250	L 2150	0.193	0.177	0.159	0.119	0.067	0.045	-	-	-	81	0.45	50
	H 2670	0.277	0.228	0.216	0.197	0.171	0.142	0.108	0.079	-	140	0.65	57
ACM315	L 1960	0.398	0.365	0.329	0.263	0.178	0.140	0.101	0.065	-	180	0.75	58
	H 2555	0.517	0.499	0.482	0.444	0.408	0.373	0.329	0.277	0.178	300	1.25	62